

Design Data	
Commutation	Brushed
Direction of rotation	Bi-directional
Bearing type	A:Ball - B:Sleeve

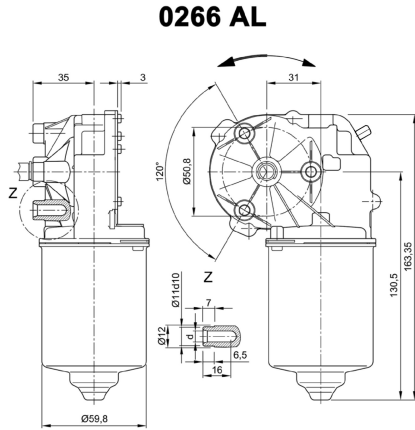
Performance data		
Rated voltage [V]	U_N	24
Nominal torque [Nm]	M_N	4.00
No-load speed [min^{-1}]	n_0	64.0
Nominal power [W]	P_N	24.8
Nominal current [A]	I_N	4.0
Nominal force [kN]	F_N	0.00
Duty cycle		

Sensor data	
Pulses	1
Output channels	1

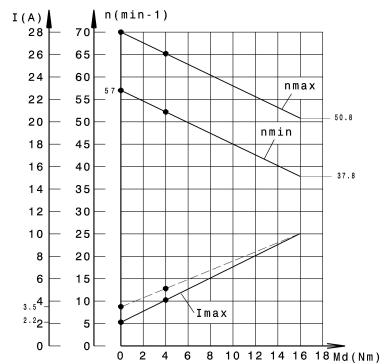
Other data	
Gear ratio	69:1
Gear wheel material	Plastic
Suppression components	2
Enclosure class	IP30
Weight [kg]	0.000

Remarks: d = for thread-forming screw M6 DIN ISO 965-2

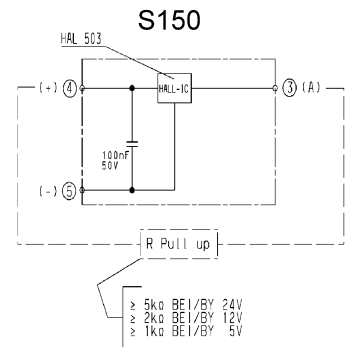
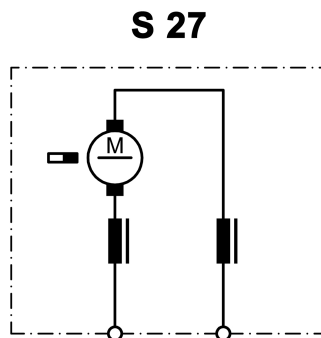
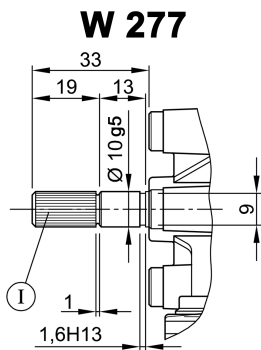
Characteristic curves



Motor picture



Output shaft drawing (W), Wiring diagrams (S) and Connector layout (K)



I serration (rolled)
 no of teeth 28, pitch circle dia 9 mm, tip circle dia 9,6 mm, root circle dia 8,26 mm space width angle 60°
 goes with go/no go gauge Frenco 33906
 www.frenco.de

