

Design Data	
Commutation	Brushed
Direction of rotation	Bi-directional
Bearing type	A:Ball - B:Sleeve

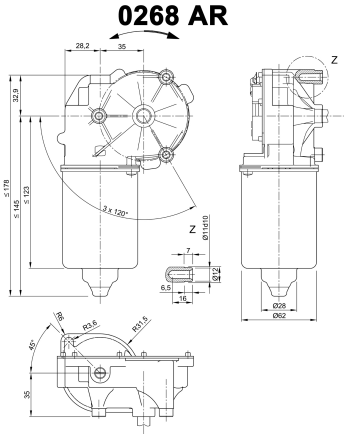
Performance data		
Rated voltage [V]	U_N	24
Nominal torque [Nm]	M_N	6.00
No-load speed [min^{-1}]	n_0	60.0
Nominal power [W]	P_N	35.0
Nominal current [A]	I_N	6.0
Nominal force [kN]	F_N	0.00
Duty cycle	s1	

Sensor data	
Pulses	91
Output channels	1

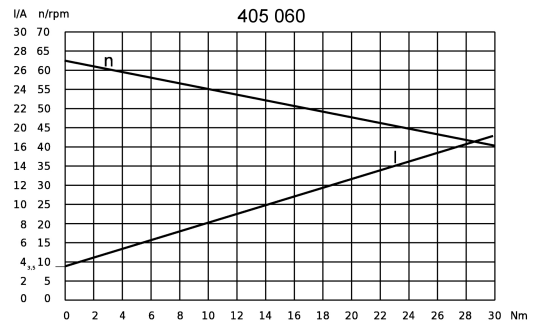
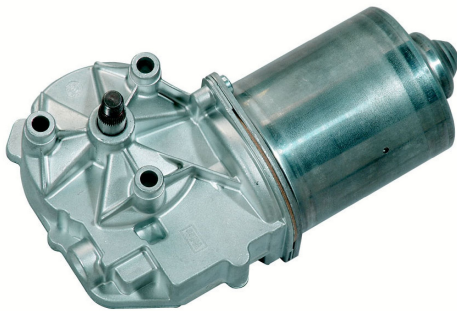
Other data	
Gear ratio	91/1
Gear wheel material	plastic
Suppression components	3,5 μ , 1nF
Enclosure class	IP 30
Weight [kg]	0.000

Remarks: d=for thread forming screw M6 DIN ISO 964-2

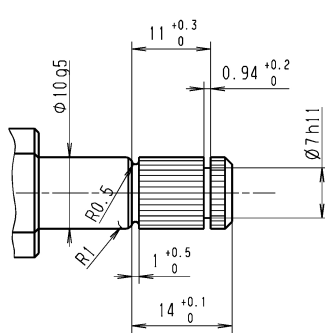
Characteristic curves



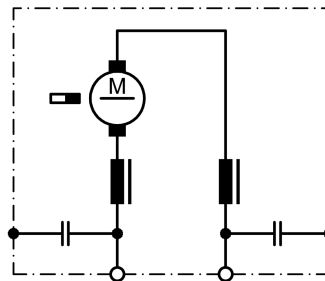
Motor picture



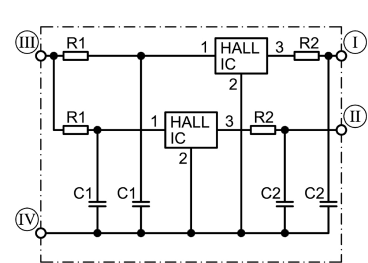
Output shaft drawing (W), Wiring diagrams (S) and Connector layout (K)



S 30



S 141



Splines: 8 x 10 (according to DIN 5481)
 Output shaft length = 28mm

- I Hall-IC A1, terminal 3
- II Hall-IC A2, terminal 4
- III Hall-IC +, terminal 5
- IV Hall-IC -, terminal 6

