

Design Data	
Commutation	Brushed
Direction of rotation	Bi-directional
Bearing type	A: Ball - B: Sleeve

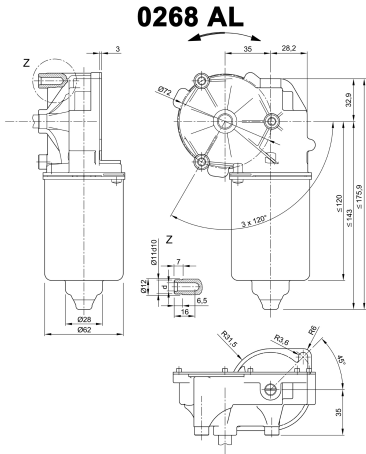
Performance data		
Rated voltage [V]	$U_N$	24
Nominal torque [Nm]	$M_N$	8.00
No-load speed [ $\text{min}^{-1}$ ]	$n_0$	75.0
Nominal power [W]	$P_N$	37.7
Nominal current [A]	$I_N$	7.0
Nominal force [kN]	$F_N$	0.00
Duty cycle	s1	

Sensor data	
Pulses	63
Output channels	1

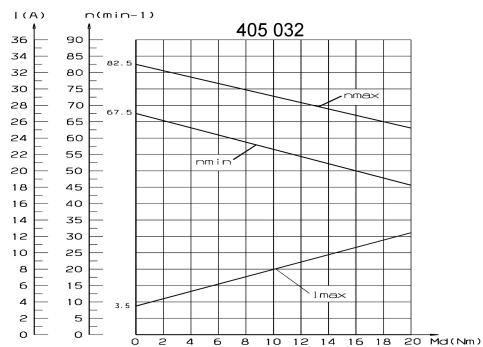
Other data	
Gear ratio	63/1
Gear wheel material	Plastic
Suppression components	3.5 $\mu$ H
Enclosure class	IP30
Weight [kg]	1.250

Remarks: d = for thread-forming screw M6 DIN ISO 965-2

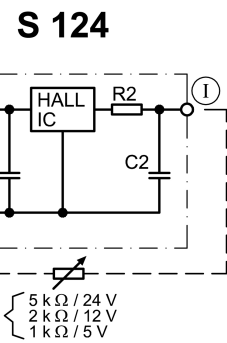
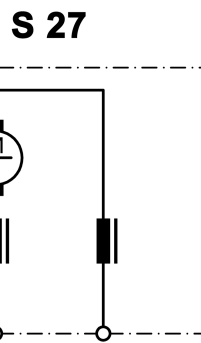
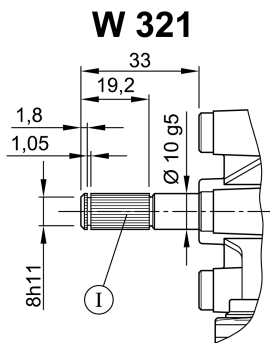
### Characteristic curves



### Motor picture



### Output shaft drawing (W), Wiring diagrams (S) and Connector layout (K)



I serration (rolled): no of teeth 28, pitch circle dia 9 mm, tip circle dia 9.6 mm, root circle dia 8.26 mm space width angle 60°- go/no go gauge Frenco 33906 - [www.frenco.de](http://www.frenco.de)

I Terminal 3, A  
 II Terminal 4, +  
 III Terminal 5, -

