

Design Data	
Commutation	Brushed
Direction of rotation	Bi-directional
Bearing type	A:Sleeve - B:Sleeve

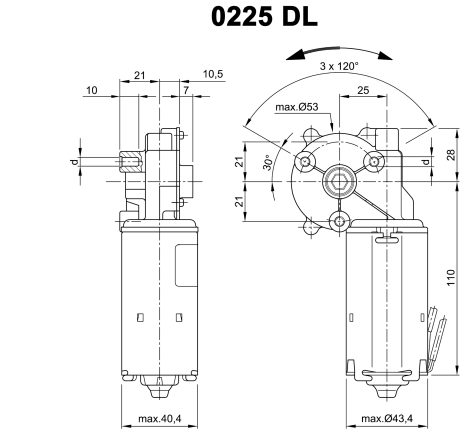
Performance data		
Rated voltage [V]	U_N	24
Nominal torque [Nm]	M_N	1.50
No-load speed [min^{-1}]	n_0	35.0
Nominal power [W]	P_N	4.47
Nominal current [A]	I_N	1.5
Nominal force [kN]	F_N	0.00
Duty cycle	s3	

Sensor data	
Pulses	288
Output channels	1

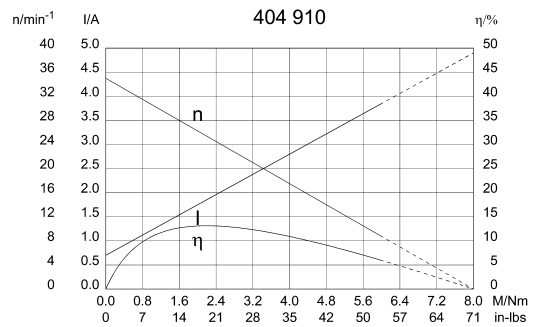
Other data	
Gear ratio	72/1
Gear wheel material	plastic
Suppression components	7,5 μ H
Enclosure class	IP 30
Weight [kg]	0.710

Remarks: d = for thread-forming screw M5 DIN 7500

Characteristic curves

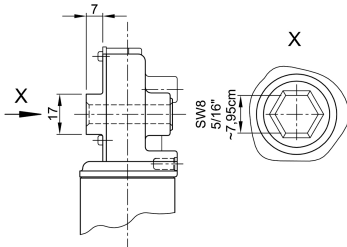


Motor picture

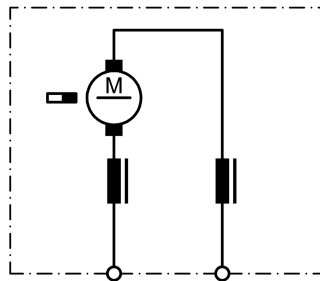


Output shaft drawing (W), Wiring diagrams (S) and Connector layout (K)

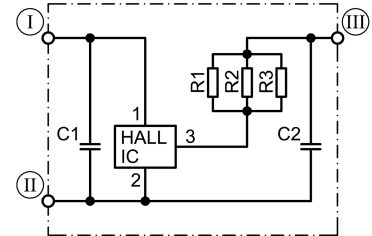
W 229



S 27



S 125



- I Terminal 3, +, white
- II Terminal 2, -, black
- III Terminal 6, OUT, red

