

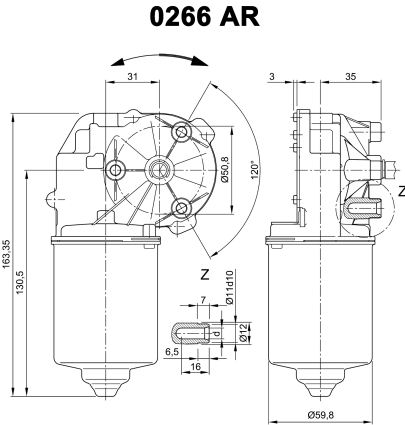
Design Data	
Commutation	Brushed
Direction of rotation	Bi-directional
Bearing type	A:ball - B:sleeve

Performance data		
Rated voltage [V]	U_N	24
Nominal torque [Nm]	M_N	4.00
No-load speed [min^{-1}]	n_0	64.0
Nominal power [W]	P_N	24.4
Nominal current [A]	I_N	4.0
Nominal force [kN]	F_N	0.00
Duty cycle	s1	

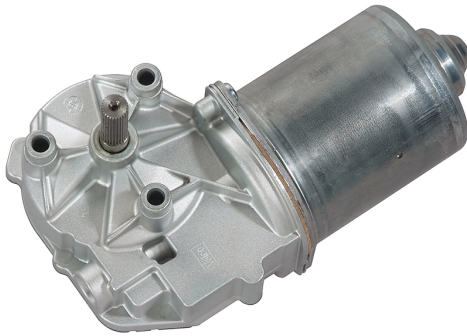
Sensor data	
Pulses	0
Output channels	0

Other data	
Gear ratio	69/1
Gear wheel material	plastic
Suppression components	$6\mu\text{H}$, 1nF
Enclosure class	IP 30
Weight [kg]	1.216

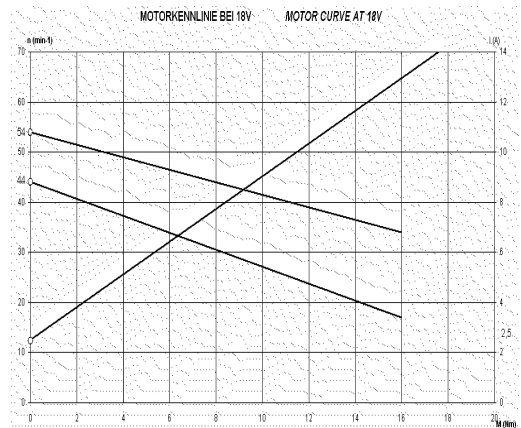
Remarks: d = for thread-forming screw M6 DIN ISO 965-2



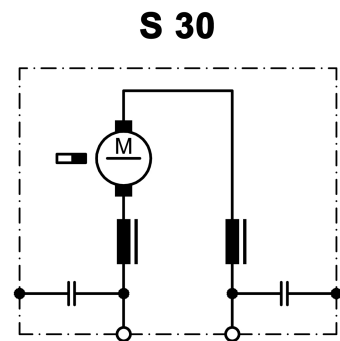
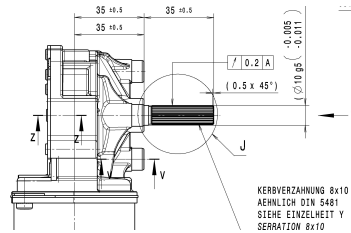
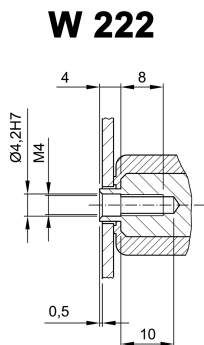
Motor picture



Characteristic curves



Output shaft drawing (W), Wiring diagrams (S) and Connector layout (K)



! Only for connection of encoder

