

| Design Data | |
|-----------------------|---------------------|
| Commutation | Brushed |
| Direction of rotation | Bi-directional |
| Bearing type | A:Sleeve - B:Sleeve |

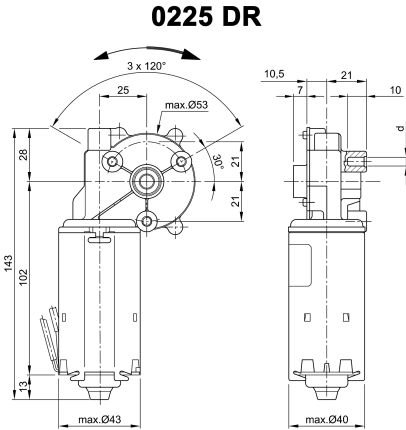
| Performance data | | |
|-------------------------------------|-------|-------|
| Rated voltage [V] | U_N | 24 |
| Nominal torque [Nm] | M_N | 2.00 |
| No-load speed [min^{-1}] | n_0 | 140.0 |
| Nominal power [W] | P_N | 25.1 |
| Nominal current [A] | I_N | 5.0 |
| Nominal force [kN] | F_N | 0.00 |
| Duty cycle | s3 | |

| Sensor data | |
|-----------------|----|
| Pulses | 62 |
| Output channels | 2 |

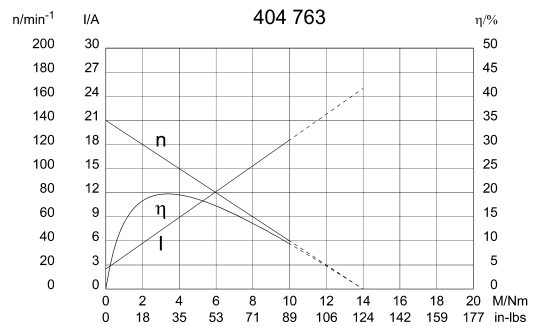
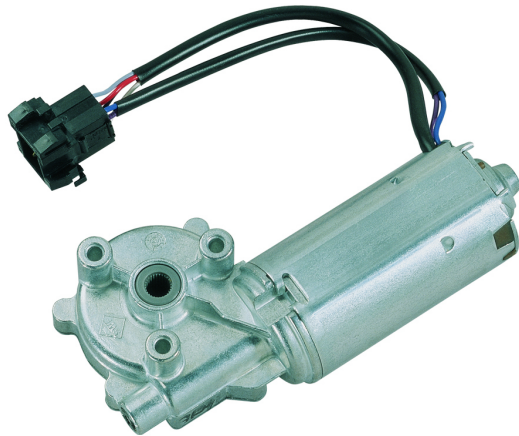
| Other data | |
|------------------------|-------------------------------|
| Gear ratio | 62/1 |
| Gear wheel material | plastic |
| Suppression components | $4\mu\text{H}$, 1nF |
| Enclosure class | IP 30 |
| Weight [kg] | 0.710 |

Remarks: d = for thread-forming screw M5 DIN 7500

Characteristic curves

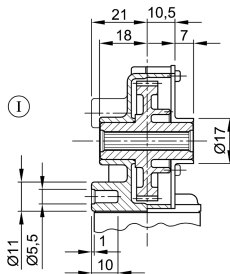


Motor picture



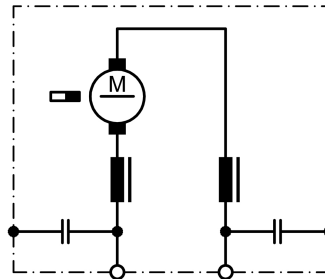
Output shaft drawing (W), Wiring diagrams (S) and Connector layout (K)

W 148

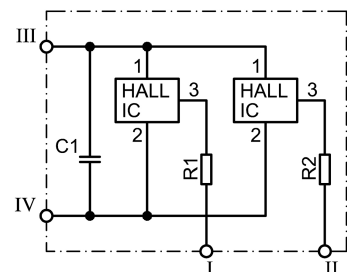


I Tapered splines 7 x 8 DIN 5481 continuous

S 30



S 109



I Terminal 1, OUT A1, grey
 II Terminal 2, OUT A2, black
 III Terminal 3, +, white
 IV Terminal 4, -, red

