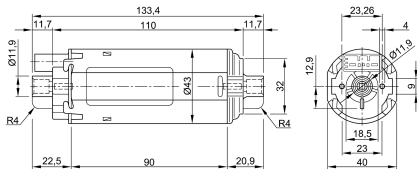


Design Data	
Commutation	Brushed
Direction of rotation	Bi-directional
Bearing type	A:Sleeve - B:Sleeve

### 0220 F



Performance data		
Rated voltage [V]	$U_N$	12
Nominal torque [Nm]	$M_N$	0.10
No-load speed [ $\text{min}^{-1}$ ]	$n_0$	2,700.0
Nominal power [W]	$P_N$	21.2
Nominal current [A]	$I_N$	4.5
Nominal force [kN]	$F_N$	0.00
Duty cycle		s3

Sensor data	
Pulses	1
Output channels	1

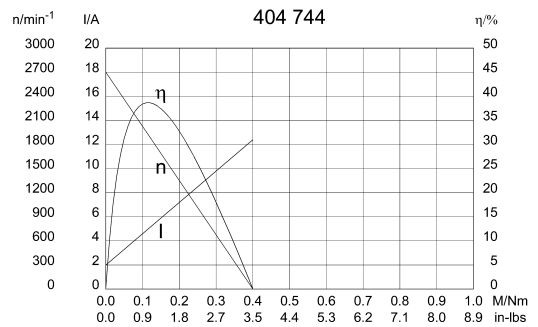
Other data	
Gear ratio	
Gear wheel material	
Suppression components	2,5 $\mu$ H, 47nF
Enclosure class	IP 40
Weight [kg]	0.560

Remarks:

### Motor picture

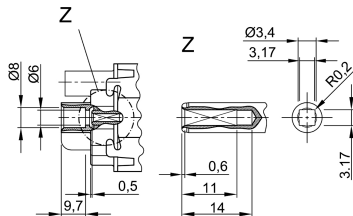


### Characteristic curves

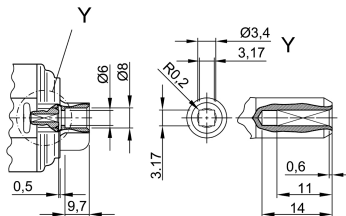


### Output shaft drawing (W), Wiring diagrams (S) and Connector layout (K)

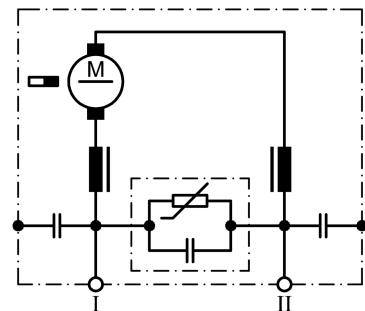
#### W 266



#### W 267



#### S 86



I Terminal 1  
 II Terminal 5

