

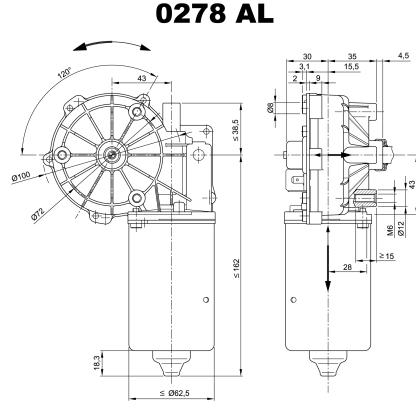
Design Data	
Commutation	Brushed
Direction of rotation	Bi-directional
Bearing type	A:Ball - B:Sleeve

Performance data		
Rated voltage [V]	$U_N$	24
Nominal torque [Nm]	$M_N$	6.00
No-load speed [ $\text{min}^{-1}$ ]	$n_0$	48.0
Nominal power [W]	$P_N$	21.9
Nominal current [A]	$I_N$	4.0
Nominal force [kN]	$F_N$	0.00
Duty cycle	s1	

Sensor data	
Pulses	74
Output channels	1

Other data	
Gear ratio	74/1
Gear wheel material	plastic
Suppression components	4,7 $\mu$ H, 1nF
Enclosure class	IP40
Weight [kg]	1.730

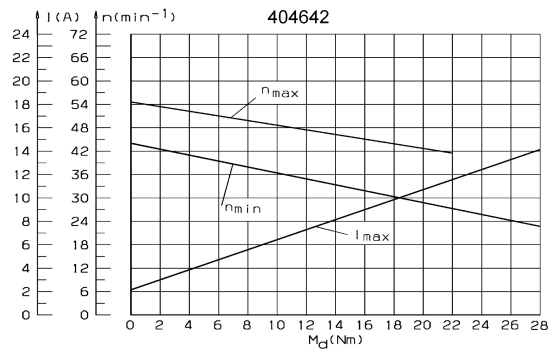
Remarks:



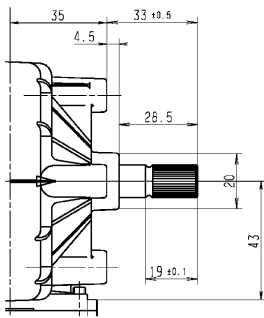
### Motor picture



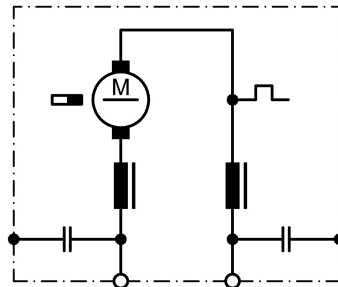
### Characteristic curves



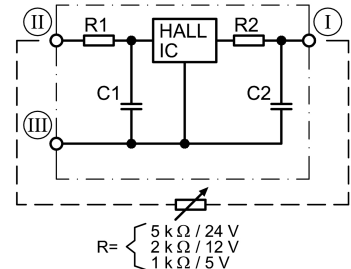
### Output shaft drawing (W), Wiring diagrams (S) and Connector layout (K)



### S 74



### S 124



Splines: 10 x 12f (according to DIN 5481)

- I Terminal 3, A
- II Terminal 4, +
- III Terminal 5, -

