

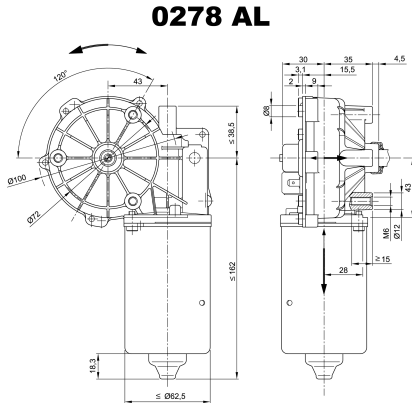
Design Data	
Commutation	Brushed
Direction of rotation	Bi-directional
Bearing type	A:Ball - B:Sleeve

Performance data		
Rated voltage [V]	$U_N$	24
Nominal torque [Nm]	$M_N$	4.00
No-load speed [ $\text{min}^{-1}$ ]	$n_0$	190.0
Nominal power [W]	$P_N$	73.1
Nominal current [A]	$I_N$	7.0
Nominal force [kN]	$F_N$	0.00
Duty cycle	s1	

Sensor data	
Pulses	0
Output channels	0

Other data	
Gear ratio	103/4
Gear wheel material	plastic
Suppression components	4,7 $\mu$ H, 1nF
Enclosure class	IP 40
Weight [kg]	1.700

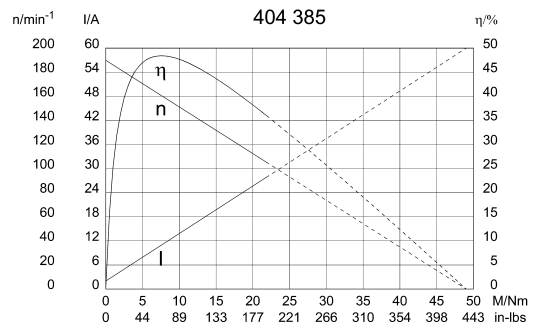
Remarks:



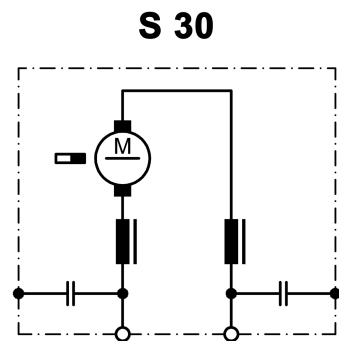
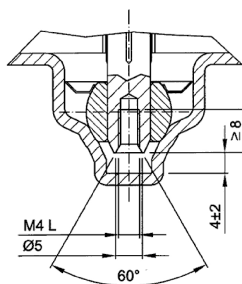
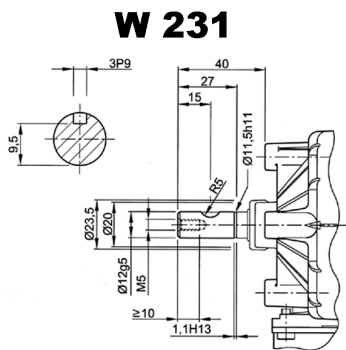
**Motor picture**



**Characteristic curves**



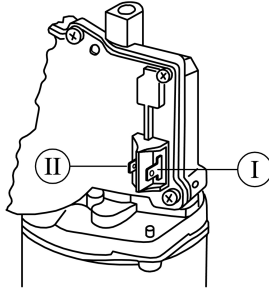
**Output shaft drawing (W), Wiring diagrams (S) and Connector layout (K)**



! Lefthand thread

Output shaft drawing (W), Wiring diagrams (S) and Connector layout (K)

**K 144**



- I Blade terminal ends 6,3 x 0,8 DIN 46 244
- II Blade terminal ends 4,8 x 0,8 DIN 46 244

## Notes

---

---

---

---

---

---

---

---

---

---

---

---

---

---

---

---

---

---

---

---

---

---

---