

Design Data	
Commutation	Brushed
Direction of rotation	Bi-directional
Bearing type	A:Sleeve - B:Sleeve

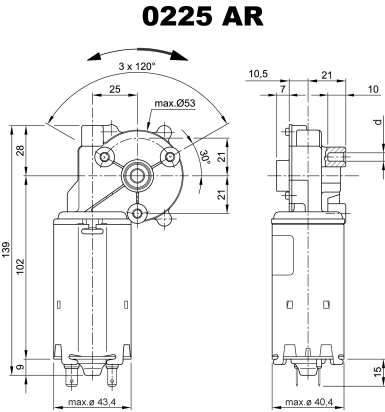
Performance data		
Rated voltage [V]	U_N	24
Nominal torque [Nm]	M_N	1.00
No-load speed [min^{-1}]	n_0	80.0
Nominal power [W]	P_N	7.33
Nominal current [A]	I_N	1.5
Nominal force [kN]	F_N	0.00
Duty cycle	s3	

Sensor data	
Pulses	0
Output channels	0

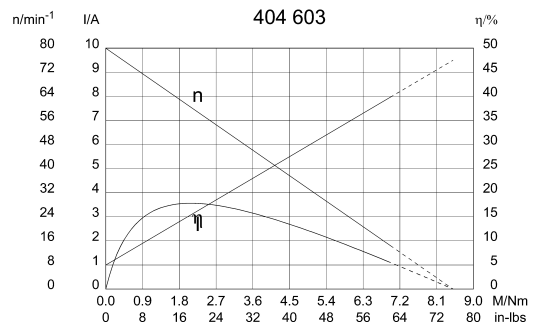
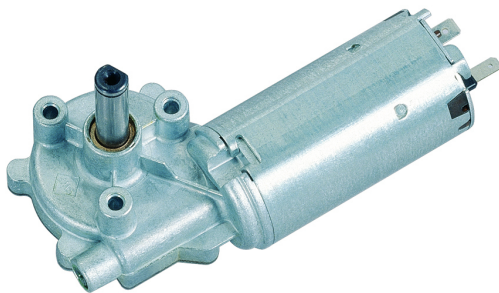
Other data	
Gear ratio	62/1
Gear wheel material	plastic
Suppression components	
Enclosure class	IP 30
Weight [kg]	0.610

Remarks: d=selftapping screw M5

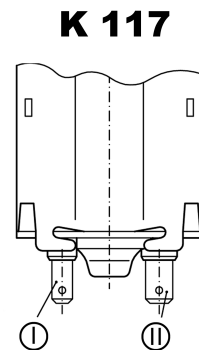
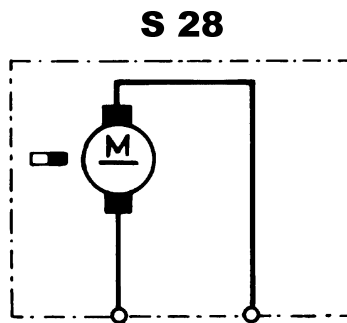
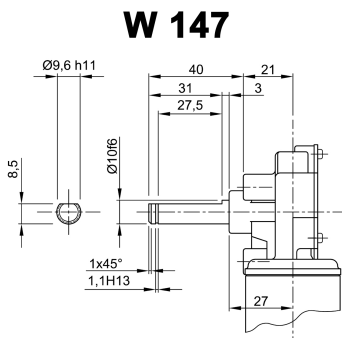
Characteristic curves



Motor picture



Output shaft drawing (W), Wiring diagrams (S) and Connector layout (K)



I - Blade terminal ends 4,8 x 0,8 DIN 46 244
 II - Blade terminal ends 6,3 x 0,8 DIN 46 244