

Design Data	
Commutation	Brushed
Direction of rotation	Bi-directional
Bearing type	A:Ball - B:Sleeve

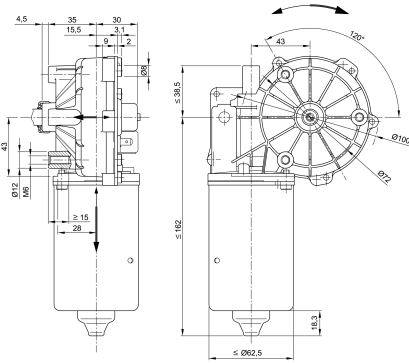
Performance data		
Rated voltage [V]	$U_N$	24
Nominal torque [Nm]	$M_N$	6.00
No-load speed [ $\text{min}^{-1}$ ]	$n_0$	48.0
Nominal power [W]	$P_N$	27.9
Nominal current [A]	$I_N$	6.0
Nominal force [kN]	$F_N$	0.00
Duty cycle	s1	

Sensor data	
Pulses	0
Output channels	0

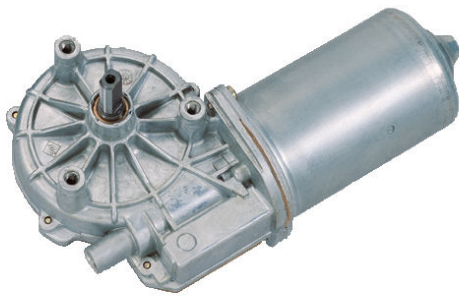
Other data	
Gear ratio	74/1
Gear wheel material	plastic
Suppression components	4,7 $\mu$ H, 1 $\mu$ F
Enclosure class	IP40
Weight [kg]	1.716

Remarks:

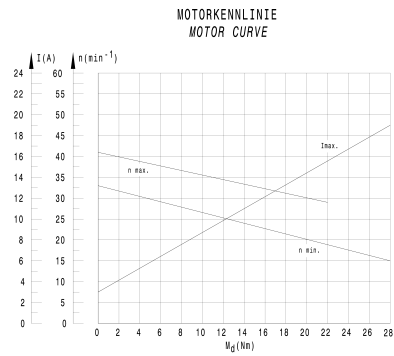
### 0278 AR



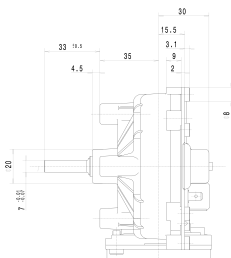
### Motor picture



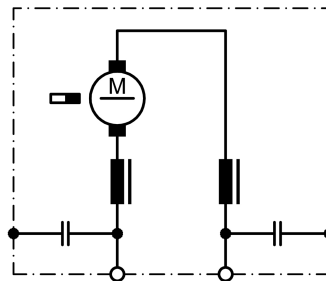
### Characteristic curves



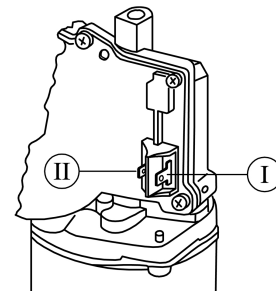
### Output shaft drawing (W), Wiring diagrams (S) and Connector layout (K)



### S 30



### K 144



- I - Blade terminal ends 6,3 x 0,8 DIN 46 244
- II - Blade terminal ends 4,8 x 0,8 DIN 46 244