

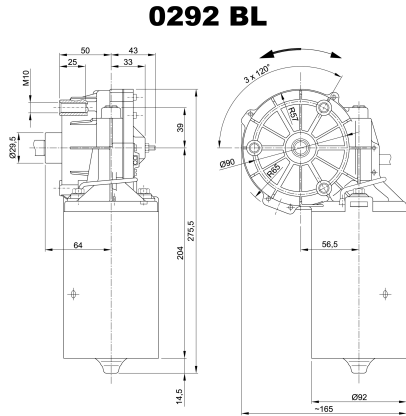
Design Data	
Commutation	Brushed
Direction of rotation	Bi-directional
Bearing type	A:Ball - B:Sleeve

Performance data		
Rated voltage [V]	U_N	24
Nominal torque [Nm]	M_N	10.0
No-load speed [min^{-1}]	n_0	165.0
Nominal power [W]	P_N	156
Nominal current [A]	I_N	5.0
Nominal force [kN]	F_N	0.00
Duty cycle	s1	

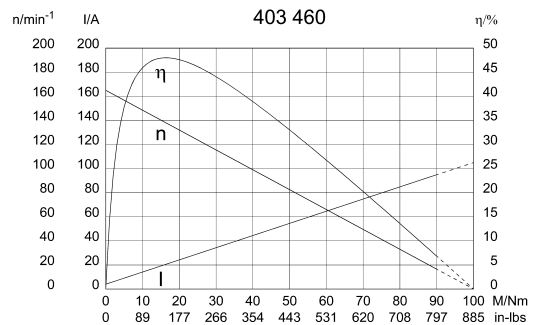
Sensor data	
Pulses	0
Output channels	0

Other data	
Gear ratio	43/3
Gear wheel material	plastic
Suppression components	
Enclosure class	IP 20
Weight [kg]	4.200

Remarks:

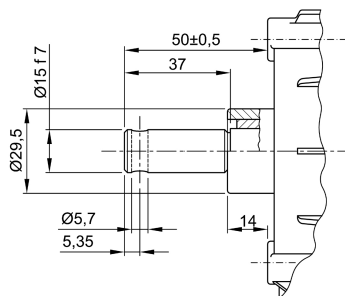


Motor picture

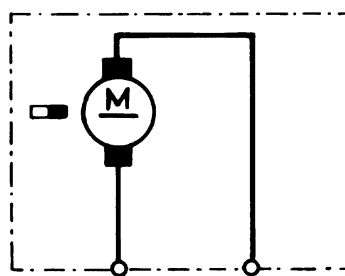


Output shaft drawing (W), Wiring diagrams (S) and Connector layout (K)

W 167



S 28



K 123

