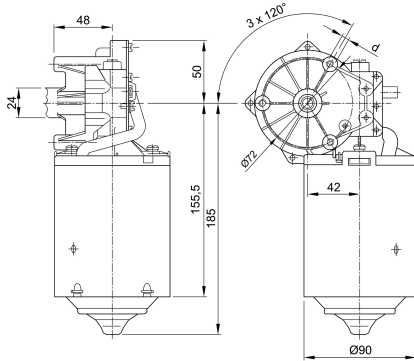


Design Data	
Commutation	Brushed
Direction of rotation	Bi-directional
Bearing type	A:Ball - B:Sleeve

Performance data		
Rated voltage [V]	U_N	24
Nominal torque [Nm]	M_N	3.00
No-load speed [min^{-1}]	n_0	220.0
Nominal power [W]	P_N	65.7
Nominal current [A]	I_N	8.0
Nominal force [kN]	F_N	0.00
Duty cycle	s1	

0291 BL

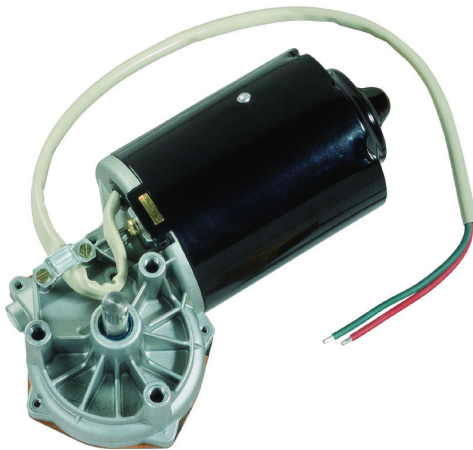


Sensor data	
Pulses	0
Output channels	0

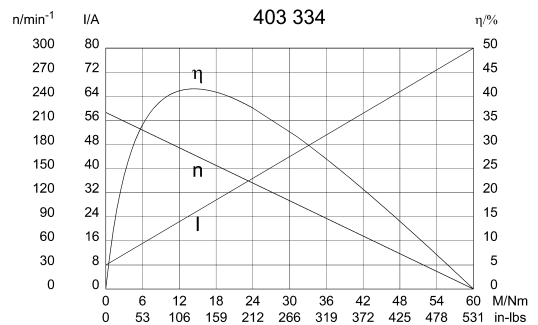
Other data	
Gear ratio	44/2
Gear wheel material	plastic
Suppression components	6,5 μ H, 1nF
Enclosure class	IP 20
Weight [kg]	2.900

Remarks: d = M8 x 16 mm

Motor picture

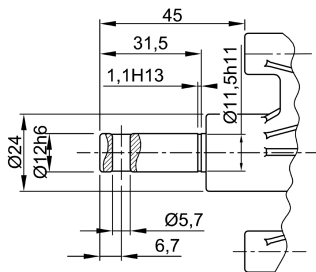


Characteristic curves

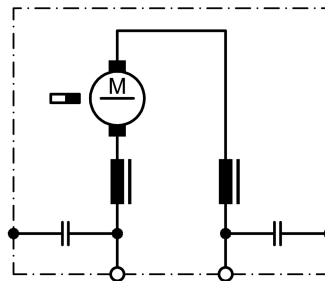


Output shaft drawing (W), Wiring diagrams (S) and Connector layout (K)

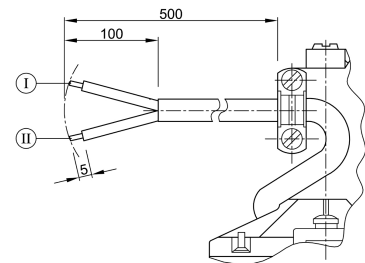
W 070



S 30



K 274



I red
 II green