

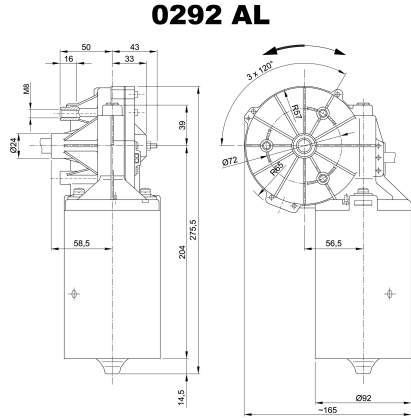
Design Data	
Commutation	Brushed
Direction of rotation	Bi-directional
Bearing type	A:Ball - B:Ball

Performance data		
Rated voltage [V]	U_N	24
Nominal torque [Nm]	M_N	20.0
No-load speed [min^{-1}]	n_0	27.0
Nominal power [W]	P_N	44.0
Nominal current [A]	I_N	6.0
Nominal force [kN]	F_N	0.00
Duty cycle	s1	

Sensor data	
Pulses	0
Output channels	0

Other data	
Gear ratio	50/1
Gear wheel material	plastic
Suppression components	
Enclosure class	IP 20
Weight [kg]	4.200

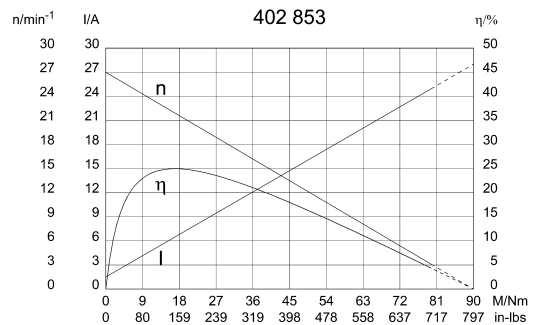
Remarks:



Motor picture

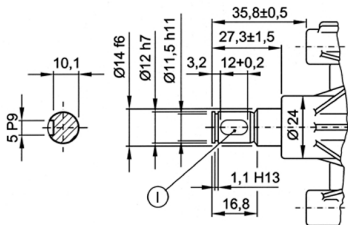


Characteristic curves

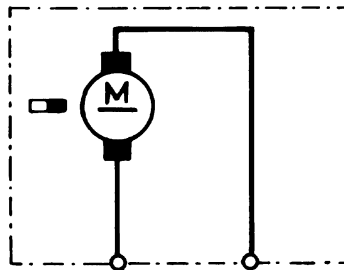


Output shaft drawing (W), Wiring diagrams (S) and Connector layout (K)

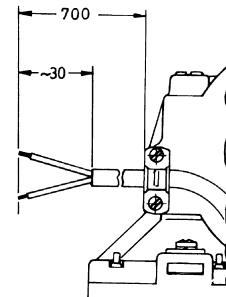
W 110



S 28



K 86



I Groove for feather key A 5x3x12 DIN 6885